



Product Description	Cobramatic Cabinet
MK Manual Part Number	091-0246
M.K. Form Number	CWFIA
NWSA Form Number	550
Effective with Serial Number	32135 F92
Voltage Ratings	115 VAC
Printing/Rev. Date	June 2000 D
This manual applies to the following Cabinet Model Numbers	150-003

## *Cobramatic® Wire Feed Cabinet*



# SAFETY CONSIDERATIONS

## ELECTRIC ARC WELDING EQUIPMENT

**CAUTION : READ BEFORE ATTEMPTING INSTALLATION, OPERATION OR MAINTENANCE OF THIS EQUIPMENT**

### 1-1 INTRODUCTION

This equipment is intended for ultimate application by commercial/industrial users and for operation by persons trained and experienced in the use and maintenance of welding equipment. Operation should not be undertaken without adequate training in the use of such equipment. Training is available from many public and private schools or similar facilities.

Safe practices in the installation, operation and maintenance of this equipment requires proper training in the art, a careful study of the information provided with the equipment, and the use of common sense. Rules for safe use are generally provided by suppliers of welding power sources, compressed gas suppliers, and electrode suppliers. Careful compliance with these rules will promote safe use of this equipment.

The following Safety Rules cover some of the more generally found situations. READ THEM CAREFULLY. In case of any doubt, obtain qualified help before proceeding.

### 1-2 GENERAL PRECAUTIONS

#### A. Burn Prevention

**ELECTRIC ARC WELDING PRODUCES HIGH INTENSITY HEAT AND ULTRAVIOLET RADIANT ENERGY WHICH MAY CAUSE SERIOUS AND PERMANENT EYE DAMAGE AND WHICH MAY DAMAGE ANY EXPOSED SKIN AREAS.**

Wear helmet with safety goggles or glasses with side shields underneath, appropriate filter lenses or plates (protected by clear cover glass). This is a must for welding or cutting (and chipping) to protect the eyes from radiant energy and flying metal. Replace cover glass when broken, pitted, or spattered.

Medical first aid and eye treatment. First aid facilities and a qualified first aid person should be available for each shift unless medical facilities are close by for immediate treatment of flash burns of the eyes and skin burns.

Wear protective clothing - leather (or asbestos) gauntlet gloves, hat, and high safety-toe shoes. Button shirt collar and pocket flaps, and wear cuffless trousers to avoid entry of sparks and slag.

Avoid oily or greasy clothing. A spark may ignite them.

Flammable hair preparations should not be used by persons intending to weld or cut.

Hot metal such as electrode stubs and work pieces should never be handled without gloves.

Ear plugs should be worn when working on overhead or in a confined space. A hard hat should be worn when others work overhead.

#### B. Toxic Fume Prevention

**WARNING:** The use of this product may result in exposure to chemicals known to the State of California to cause cancer and birth defects or other reproductive harm.

Adequate ventilation. Severe discomfort, illness or death can result from fumes, vapors, heat, or oxygen enrichment or depletion that welding (or cutting) may produce. Prevent them with adequate ventilation. NEVER ventilate with oxygen.

Lead-, cadmium-, zinc-, mercury-, beryllium-bearing and similar materials, when welded or cut, may produce harmful concentrations of toxic fumes. Adequate local exhaust ventilation must be used, or each person in the area, as well as the operator, must wear an air-supplied respirator. For beryllium, both must be used.

Metals coated with or containing materials that emit toxic fumes should not be heated unless coating is removed from the work surface, the area is well ventilated, or the operator wears an air-supplied respirator.

Work in a confined space only while it is being ventilated and, if necessary, while wearing an air-supplied respirator.

Gas leaks in a confined space should be avoided. Leaked gas in large quantities can change oxygen concentration dangerously. Do not bring gas cylinders into a confined space.

Leaving confined space, shut OFF gas supply at source to prevent possible accumulation of gases in the space if downstream valves have been accidentally opened or left open. Check to be sure that the space is safe before reentering it.

Vapors from chlorinated solvents can be decomposed by the heat of the arc (or flame) to form PHOSGENE, a highly toxic gas, and other lung and eye irritating products. The ultraviolet (radiant) energy of the arc can also decompose trichloroethylene and perchloroethylene vapors to form phosgene. DO NOT WELD or cut where solvent vapors can be drawn into the welding or cutting atmosphere or where the radiant energy can penetrate to atmospheres containing even minute amounts of trichloroethylene or perchloroethylene.

#### C. Fire and Explosion Prevention

Causes of fire and explosion are: combustibles reached by the arc, flame, flying sparks, hot slag, or heated material, misuse of compressed gases and cylinders, and short circuits.

BE AWARE THAT flying sparks or falling slag can pass through cracks, along pipes, through windows or doors, and through wall or floor openings, out of sight of the goggled operator. Sparks can fly many feet.

To prevent fires and explosion:

Keep equipment clean and operable, free of oil, grease, and (in electrical parts) of metallic particles that can cause short circuits.

If combustibles are in area, do NOT weld or cut. Move the work if practicable, to an area free of combustibles. Avoid paint spray rooms, dip tanks, storage areas, ventilators. If the work cannot be moved, move combustibles at least 35 feet away, out of reach of sparks and heat; or protect against ignition with suitable and snug-fitting, fire-resistant covers or shields.

Walls touching combustibles on opposite sides should not be welded on (or cut). Walls, ceilings, and floor near work should be protected by heat-resistant covers or shields.

Fire watcher must be standing by with suitable fire extinguishing equipment during and for some time after welding or cutting if:

1. Appreciable combustibles (including building construction) are within 35 feet.
2. Appreciable combustibles are further than 35 feet, but can be ignited by sparks.
3. Openings (concealed or visible) in floors or walls within 35 feet may expose combustibles to sparks.
4. Combustibles adjacent to walls, ceilings, roofs, or metal partitions can be ignited by radiant or conducted heat.

Hot work permit should be obtained before operation to ensure supervisor's approval that adequate precautions have been taken.

After work is done, check that area is free of sparks, glowing embers, and flames.

An empty container that held combustibles, or that can produce flammable or toxic vapors when heated, must never be welded on or cut, unless container has first been cleaned in accordance with industry standards.

This includes: a thorough steam or caustic cleaning (or a solvent of water washing, depending on the combustible's solubility), followed by purging and inerting with nitrogen or carbon dioxide, and using protective equipment.

Water-filling just below working level may substitute for inerting.

A container with unknown contents should be cleaned (see paragraph above). Do NOT depend on sense of smell or sight to determine if it is safe to weld or cut.

Hollow castings or containers must be vented before welding or cutting. They can explode.

Explosive atmospheres. NEVER weld or cut where the air may contain flammable dust, gas, or liquid vapors (such as gasoline).

#### **D. Compressed Gas Equipment**

The safe handling of compressed gas equipment is detailed in numerous industry publications. The following general rules cover many of the most common situations.

##### **1. Pressure Regulators**

Regulator relief valve is designed to protect only the regulator from overpressure; it is not intended to protect any downstream equipment. Provide such protection with one or more relief devices.

Never connect a regulator to a cylinder containing gas other than that for which the regulator was designed.

Remove faulty regulator from service immediately for repair (first close cylinder valve). The following symptoms indicate a faulty regulator:

Leaks - if gas leaks externally.

Excessive Creep - if delivery pressure continues to rise with downstream valve closed.

Faulty Gauge - if gauge pointer does not move off stop pin when pressurized, nor returns to stop pin after pressure release.

Repair. Do NOT attempt repair. Send faulty regulators for repair to manufacturer's designated repair center, where special techniques and tools are used by trained personnel.

##### **2. Cylinders**

Cylinders must be handled carefully to prevent leaks and damage to their walls, valves, or safety devices:

Avoid electrical circuit contact with cylinders including third rails, electrical wires, or welding circuits. They can produce short circuit arcs that may lead to a serious accident. (See 1-3C)

ICC or DOT marking must be on each cylinder. It is an assurance of safety when the cylinder is properly handled.

Identifying gas content. Use only cylinders with name of gas marked on

them; do not rely on color to identify gas content. Notify supplier if unmarked. NEVER DEFACE or alter name, number, or other markings on a cylinder. It is illegal and hazardous.

Empties: Keep valves closed, replace caps securely; mark MT; keep them separate from FULLS, and return promptly.

Prohibited use. Never use a cylinder or its contents for other than its intended use, NEVER as a support or roller.

Locate or secure cylinders so they cannot be knocked over.

Passageways and work areas. Keep cylinders clear of areas where they may be stuck.

Transporting cylinders. With a crane, use a secure support such as a platform or cradle. Do NOT lift cylinders off the ground by their valves or caps, or by chains, slings, or magnets.

Do NOT expose cylinders to excessive heat, sparks, slag, and flame, etc. that may cause rupture. Do not allow contents to exceed 55 degrees C (130 degrees F.) Cool with water spray where such exposure exists.

Protect cylinders, particularly valves from bumps, falls, falling objects, and weather. Replace caps securely when moving cylinders.

Stuck valve. Do NOT use a hammer or wrench to open a cylinder valve that cannot be opened by hand. Notify your supplier.

Mixing gases. NEVER try to mix any gases in a cylinder.

NEVER refill any cylinder.

Cylinder fittings should never be modified or exchanged.

##### **3. Hose**

Prohibited use. Never use hose other than that designed for the specified gas. A general hose identification rule is: red for fuel gas, green for oxygen, and black for inert gases.

Use ferrules or clamps designed for the hose (not ordinary wire or other substitute) as a binding to connect hoses to fittings.

No copper tubing splices. Use only standard brass fittings to splice hose.

Avoid long runs to prevent kinks and abuse. Suspend hose off ground to keep it from being run over, stepped on, or otherwise damaged.

Coil excess hose to prevent kinks and tangles.

Protect hose from damage by sharp edges, and by sparks, slag, and open flame.

Examine hose regularly for leaks, wear, and loose connections. Immerse pressured hose in water; bubbles indicate leaks

Repair leaky or worn hose by cutting area out and splicing. Do NOT use tape.

##### **4. Proper Connections**

Clean cylinder valve outlet of impurities that

may clog orifices and damage seats before connecting regulator. Except for hydrogen, crack valve momentarily, pointing outlet away from people and sources of ignition. Wipe with a clean, lintless cloth.

Match regulator to cylinder. Before connecting, check that the regulator label and cylinder marking agree, and that the regulator inlet and cylinder outlet match. NEVER Connect a regulator designed for a particular gas or gases to a cylinder containing any other gas.

Tighten connections. When assembling threaded connections, clean and smooth seats where necessary. Tighten. If connection leaks, disassemble, clean, and retighten, using properly fitting wrench.

Adapters. Use a CGA adapter (available from your supplier) between cylinder and regulator, if one is required. Use two wrenches to tighten adapter marked RIGHT and LEFT HAND threads.

Regulator outlet (or hose) connections may be identified by right hand threads for oxygen and left hand threads (with grooved hex on nut or shank) for fuel gas.

##### **5. Pressurizing Steps:**

Drain regulator of residual gas through suitable vent before opening cylinder (or manifold valve) by turning adjusting screw in (clockwise). Draining prevents excessive compression heat at high pressure seat by allowing seat to open on pressurization. Leave adjusting screw engaged slightly on single-stage regulators.

Stand to side of regulator while opening cylinder valve.

Open cylinder valve slowly so that regulator pressure increases slowly. When gauge is pressurized (gauge reaches regulator maximum) leave cylinder valve in following position: for oxygen and inert gases, open fully to seal stem against possible leak; for fuel gas, open to less than one turn to permit quick emergency shut-off.

Use pressure charts (available from your supplier) for safe and efficient recommended pressure settings on regulators.

Check for leaks on first pressurization and regularly thereafter. Brush with soap solution. Bubbles indicate leaks. Clean off soapy water after test; dried soap is combustible.

##### **E. User Responsibilities**

Follow all Safety Rules.

Remove leaky or defective equipment from service immediately for repair. Read and follow user manual instructions.

##### **F. Leaving Equipment Unattended**

Close gas supply at source and drain gas.

##### **G. Rope Staging-Support**

Rope staging-support should not be used

for welding or cutting operation; rope may burn.

### 1-3 ARC WELDING

Comply with precautions in 1-1, 1-2, and this section. Arc Welding, properly done, is a safe process, but a careless operator invites trouble. The equipment carries high currents at significant voltages. The arc is very bright and hot. Sparks fly, fumes rise, ultraviolet and infrared energy radiates, weldments are hot, and compressed gases may be used. The wise operator avoids unnecessary risks and protects himself and others from accidents.

#### A. Burn Protection

Comply with precautions in 1-2.

The welding arc is intense and visibly bright. Its radiation can damage eyes, penetrate lightweight clothing, reflect from light-colored surfaces, and burn the skin and eyes. Skin burns resemble acute sunburn; those from gas-shielded arcs are more severe and painful. **DON'T GET BURNED; COMPLY WITH PRECAUTIONS.**

##### 1. Protective Clothing

Wear long-sleeve clothing in addition to gloves, hat, and shoes. As necessary, use additional protective clothing such as leather jacket or sleeves, flameproof apron, and fire-resistant leggings. Avoid outer garments of untreated cotton.

Bare skin protection. Wear dark, substantial clothing. Button collar to protect chest and neck, and button pockets to prevent entry of sparks.

##### 2. Eye and Head Protection

Protect eyes from exposure to arc. Eyes may be damaged by radiant energy when exposed to the electric arc, even when not looking in the direction of the arc. Never look at an electric arc without protection.

Welding helmet or shield containing a filter plate shade no. 12 or denser must be used when welding. Place over face before striking arc.

Protect filter plate with a clear cover plate.

Cracked or broken helmet or shield should NOT be worn; radiation can be passed through to cause burns.

Cracked, broken, or loose filter plates must be replaced IMMEDIATELY. Replace clear cover plate when broken, pitted, or spattered.

Flash goggles with side shields MUST be worn under the helmet to give some protection to the eyes should the helmet not be lowered over the face before an arc is struck. Looking at an arc momentarily with unprotected eyes (particularly a high intensity gas-shielded arc) can cause a retinal burn that may leave a permanent dark area in the field of vision.

##### 3. Protection of Nearby Personnel

Enclose the welding area. For production

welding, a separate room or enclosed bay is best. In open areas, surround the operation with low-reflective, noncombustible screens or panels. Allow for free air circulation, particularly at floor level.

Viewing the weld. Provide face shields for all persons who will be looking directly at the weld.

Others working in area. See that all persons are wearing flash goggles.

Before starting to weld, make sure that screen flaps or bay doors are closed.

#### B. Toxic Fume Prevention

Comply with precautions in 1-2B.

Generator engine exhaust must be vented to the outside air. Carbon monoxide can kill.

#### C. Fire and Explosion Prevention

Comply with precautions in 1-2C.

Equipment's rated capacity. Do not overload arc welding equipment. It may overheat cables and cause a fire.

Loose cable connections may overheat or flash and cause a fire.

Never strike an arc on a cylinder or other pressure vessel. It creates a brittle area that can cause a violent rupture or lead to such a rupture later under rough handling.

#### D. Compressed Gas Equipment

Comply with precautions in 1-2D.

#### E. Shock Prevention

Exposed electrically hot conductors or other bare metal in the welding circuit, or in ungrounded, electrically-HOT

equipment can fatally shock a person whose body becomes a conductor. **DO NOT STAND, SIT, LIE, LEAN ON, OR TOUCH** a wet surface when welding without suitable protection.

To protect against shock:

Keep body and clothing dry. Never work in damp area without adequate insulation against electrical shock. Stay on a dry duckboard, or rubber mat when dampness or sweat cannot be avoided. Sweat, sea water, or moisture between body and an electrically HOT part - or grounded metal - reduces the body surface electrical resistance, enabling dangerous and possibly lethal currents to flow through the body.

##### 1. Grounding the Equipment

When installing, connect the frames of each unit such as welding power source, control, work table, and water circulator to the building ground. Conductors must be adequate to carry ground currents safely. Equipment made electrically HOT by stray currents may shock, possibly fatally. **DO NOT GROUND** to electrical conduit, or to a pipe carrying ANY gas or a flammable liquid such as oil or fuel.

Three-phase connection. Check phase requirement of equipment before installing. If only three-phase power is available, connect single-phase equipment to only two wires of the three-phase line. **DO NOT**

connect the equipment ground lead to the third (live) wire, or the equipment will become electrically HOT - a dangerous condition that can shock, possibly fatally.

Before welding, check ground for continuity. Be sure conductors are touching bare metal of equipment frames at connections.

If a line cord with a ground lead is provided with the equipment for connection to a switch box, connect the ground lead to the grounded switch box. If a three-prong plug is added for connection to a grounded mating receptacle, the ground lead must be connected to the ground prong only. If the line cord comes with a three-prong plug, connect to a grounded mating receptacle. Never remove the ground prong from a plug, or use a plug with a broken ground prong.

##### 2. Connectors

Fully insulated lock-type connectors should be used to join welding cable lengths.

##### 3. Cables

Frequently inspect cables for wear, cracks, and damage. **IMMEDIATELY REPLACE** those with excessively worn or damaged insulation to avoid possibly lethal shock from bared cable. Cables with damaged areas may be taped to give resistance equivalent to original cable.

Keep cable dry, free of oil and grease, and protected from hot metal and sparks.

##### 4. Terminals and Other Exposed Parts

Terminals and other exposed parts of electrical units should have insulating covers secured before operation.

##### 5. Electrode Wire

Electrode wire becomes electrically HOT when the power switch of gas metal-arc welding equipment is ON and welding gun trigger is pressed. Keep hands and body clear of wire and other HOT parts.

##### 6. Safety Devices

Safety devices such as interlocks and circuit breakers should not be disconnected or shunted out.

Before installation, inspection, or service of equipment, shut OFF all power, and remove line fuses (or lock or red-tag switches) to prevent accidental turning ON of power. Disconnect all cables from welding power source, and pull all 115 volts line-cord plugs.

Do not open power circuit or change polarity while welding. If, in an emergency, it must be disconnected, guard against shock burns or flash from switch arcing.

Leaving equipment unattended. Always shut OFF, and disconnect all power to equipment.

Power disconnect switch must be available near the welding power source.

**This page intentionally blank**

# Table Of Contents

	<i>Introduction</i> .....	8
<b>Section 1</b>	<b>Specifications</b> .....	<b>9</b>
<b>Section 2</b>	<b>Support Equipment Required</b> .....	<b>9</b>
<b>Section 3</b>	<b>Coolant Recommendations</b> .....	<b>9</b>
<b>Section 4</b>	<b>Optional Accessories</b> .....	<b>9</b>
<b>Section 5</b>	<b>Installation</b> .....	<b>10</b>
	5.1 <i>Location</i> .....	10
	5.2 <i>Contactor Selection</i> .....	10
	5.3 <i>115 VAC Connections</i> .....	10
	5.4 <i>Posa Start Connections</i> .....	10
<b>Section 6</b>	<b>Wire Threading Procedure</b> .....	<b>10</b>
	6.1 <i>Wire Spool Installation</i> .....	10
	6.2 <i>Threading Procedure</i> .....	10
	6.3 <i>Pre-Setting Slave Motor Tension</i> .....	11
	6.4 <i>Wire Guard</i> .....	11
<b>Section 7</b>	<b>Operation</b> .....	<b>12</b>
	7.1 <i>General</i> .....	12
	7.2 <i>Feeder Controls</i> .....	12
	7.3 <i>CV/CC Posa Start Operating Procedure</i> .....	12
<b>Section 8</b>	<b>Maintenance</b> .....	<b>14</b>
	8.1 <i>Testing The Torch</i> .....	14
	8.2 <i>Relay K2 Operations</i> .....	14
	8.3 <i>Testing the 115 VAC Circuits</i> .....	15
	8.4 <i>Testing the Speed Control</i> .....	15
	 <i>Trouble Shooting</i> .....	 16
	<i>Cabinet and Torch Hook-up Diagram</i> .....	17
	<i>Input Power Connections</i> .....	18
	<i>Posa Start and Contactor Connections</i> .....	19
	<i>Drawings</i> .....	20
	<i>Main PC Board Connections</i> .....	25
	<i>Main PC Board Parts Placement</i> .....	26
	<i>Main PC Board Parts List</i> .....	27
	<i>Front Panel Circuit Board</i> .....	28
	<i>Schematics</i> .....	29

**This page intentionally blank**

## **INTRODUCTION**

Thank you for purchasing what we believe is the best built wire feeder on the market. This manual details the installation of your Cobramatic Cabinet. Properly installed, adjusted, and maintained for your welding conditions, it will prove to be a reliable welding system producing consistently uniform welds.

The Cobramatic can be used with any Constant Voltage(CV) or Constant Current(CC) type power source. CV-CC Posa Start "Run-in Speed" is included as a standard feature.

The Cobramatic has a 7 pin "W" clocked amphenol torch connector for easy hook-up to the complete line of MK Products 7 pin "W" clocked amphenol torches. The 7 pin "S" torches may also be connected by using an "S" clocked amphenol adaptor kit (P/N 005-3563).

In order to assure optimum performance of your Cobramatic equipment, familiarize yourself with the contents of this manual, and carefully follow all instructions.

This manual will not only guide you in installing your Cobramatic equipment, but will also be a handy reference for optional items, replacement parts, and consumables.



## Section 1

### SPECIFICATIONS

Wire Diameter Capacity .....030 - 1/16" ALL Types  
Wire Capacity ..... 12" Standard (Insulated or  
..... Non-Insulated)  
Power Input ..... 115 VAC 50/60 Hz,  
..... 150 Watts Peak (1.3 amps)  
Weight ..... 31 pounds  
Shipping Weight ..... 36 pounds  
For Use with Torch Prefix Numbers ..... 145, 146, 147, 148, 149,  
162, 163, 210, 211, 212, 213, 216 (and 109, 156, 118, 133, 160, 161 when kit  
p/n 005-3563 is installed).

## Section 2

### SUPPORT EQUIPMENT REQUIRED

C. V. or C.C. Power Source of Sufficient Capacity for Your Needs.

Regulated Gas Supply and Hoses.

Properly Sized Power Leads from Power Source to Wire Feeder and Ground.

Water Source and Hose Capable of Providing a Minimum of **1 qt/min. at 45 p.s.i.** when using water cooled torches.

## Section 3

### COOLANT RECOMMENDATIONS

1. Use a name-brand additive which does not contain reactive sulphur or chlorine and does not react with copper, brass, or aluminum.
2. Check coolant periodically to remain within limits of the following:
  - A. Coolant Flow rate - 1 quart/minute at 45 p.s.i.
  - B. Resistivity - 10K ohms/centimeter
  - C. Ph Range - 5.5-8.5
  - D. Particle Size - .005"

## Section 4

### OPTIONAL ACCESSORIES

#### Plastic Guides for Slave Motor

Inlet Guide	<b>753-0062</b>
Outlet Guide with Knob	<b>003-0428</b>

#### Optional Kits

Cabinet Pot Kit	<b>005-0615</b>
"S" Clocked Sup. Kit	<b>005-3563</b>
Pre-set Adj. Screw	<b>005-0125</b>
Water Flow Kit	<b>005-0253</b>
Wire Guard Kit	<b>005-0618*</b>

\*Standard on all Wire Feeders

## Section 5

## INSTALLATION

### 5.1 LOCATION

The cabinet should be placed in a location where it can be protected from damage. Lead lengths and accessibility to a 115 VAC 50/60 Hz outlet must also be considered when installing the cabinet.

### 5.2 CONTACTOR SELECTION

The Cobramatic is shipped from the factory in the closing contacts position. A eight foot (8') contactor cable is supplied with the unit to which the black and white wires supply the contactor signal.

*NOTE: REFER TO THE POWER SUPPLY OWNER'S MANUAL FOR LOCATION AND TYPE OF CONTACTOR SIGNAL REQUIRED.*

*WARNING: Disconnect the Cobramatic Cabinet from all power sources before changing contactor.*

If a **115 VAC** signal is required, remove the screws from the left side of the cabinet and lift up the cover door. Locate the white and black wire on **J6-3** and **J6-4**. Move the black wire from J6-4 to **J5-4** and white wire from J6-3 to **J5-3**. The unit will now supply **115 VAC** on the black (hot) and white (neutral) wires.

### 5.3 115 VAC CONNECTIONS

Connect the supplied 8' three (3) prong plug to a 115 VAC 50/60 Hz outlet.

The **115 VAC** cord is connected to the PC Board on terminal strip **J5 #1** (neutral) and **#2** (hot) and Ground to the Cabinet chassis.

### 5.4 POSA START CONNECTIONS

Attach the No. 14 single black lead which extends from the back of the Cobramatic I to the negative terminal of the welding power source or work ground. The Posa Start lead is internally connected to the P.C. board on terminal strip **J6** terminal 2.

## Section 6

## WIRE THREADING PROCEDURE

### 6.1 WIRE SPOOL INSTALLATION

Release latches, and open right side door of cabinet.

Remove spool retainer from spindle hub.

Install wire spool onto spindle hub so that wire feeds from bottom of spool towards slave motor. Make sure that the hole in the spool aligns with pin on spindle hub. The white dot on the end of the spindle hub will aid in this alignment.

Replace the spool retainer.

### 6.2 THREADING PROCEDURE

Place wire size selector switch on front panel to the correct position for the wire being used.

Loosen end of wire from spool and cut off any kinked or bent portions.

Unreel and straighten out first 6" to 8" of wire.

Release tension from slave motor drive rolls.

Route wire into inlet guide, along drive roll groove, and into wire conduit.

Prevent the wire spool from turning with the palm of the right hand, and at the same time grasp the slave motor pressure adjusting knob.

Pull the torch trigger and slowly tighten the slave motor pressure adjusting knob until the slave motor stalls.

**CAUTION:**

*EXCESSIVE DRIVE ROLL TENSION WILL REDUCE RATHER THAN IMPROVE WIRE FEED PERFORMANCE.*

Tighten the torch pressure adjusting knob so the wire will be picked up and fed through the contact tip. Proper tension is achieved when wire does not slip if a small amount of pressure is added to the wire as it exits the tip.

### **6.3 PRE-SETTING SLAVE MOTOR TENSION**

(Read Sections 6.1 & 6.2 before performing this operation.)

All Cobramatics have preset adjusting nuts which enables spools of the same wire diameter and type to be changed without further pressure adjustment after initial set-up.

To preset the slave motor tension bottom out the pressure adjusting knob by turning it completely clockwise.

Prevent the wire spool from turning and using a 9/16" wrench adjust the preset nut until the slave motor stalls.

Correct pressure will now be achieved by simply bottoming out the pressure adjusting knob.

### **6.4 WIRE GUARD**

The Cobramatic® Wire Guard is designed to keep the welding wire from jumping off the spool inside the wire feed cabinet. When the trigger is released and the brake engages, especially when using a new spool that is heavier towards the outside, the spool will tend to rotate more against the spindle drag adjustment.

However since the wire is held by the slave motor it will not move and could subsequently jump off the back of the spool and become lodged in the brake mechanism, or jump off the front of the spool and electrically short-out to the cabinet chassis. The wire guard will keep the wire from doing either.

The wire guard is designed to run inside the spool on top of the wire, and when the brake is engaged the wire guard will hold the wire onto the spool. The wire guard is made of a heavy woven nylon material that is resistant to wear and will not contaminate the surface of the wire.

## Section 7

## OPERATION

### 7.1 GENERAL

The Cobramatic is an up-dated version of the popular Cobramatic Cabinet and operates on the same basic principles. The 115 VAC slave motor in the feeder runs at a fast, constant speed, but has very low torque. It is always trying to feed more wire than the torch motor wants, and when the motor gets all it wants, it slows the slave motor preventing a bird's nest. Because of the low torque produced by the slave motor, a brake system is used to prevent wire overrun rather than tension. The drag adjustment in the spindle is used to keep the wire slightly taut, so it will not unspool while feeding wire. The 24 VDC torch pull motor is controlled by a solid state speed control and a potentiometer located in the torch.

### 7.2 FEEDER CONTROLS

#### 7.2.1. ON/OFF SWITCH

Placing the switch in the "ON" position energizes the feeder circuitry and the power indicator light.

#### 7.2.2. WIRE SIZE SELECTOR SWITCH

The wire size selector switch changes the torque of the slave motor for the wire you are using. When in the **.030-.035 Aluminum Only** position, the slave motor produces approximately 1 1/2 lb-inches of torque and approximately 4 1/2 lb-inches of torque when in the **All Other Wires** position.

*(NOTE: Operating the cabinet with the switch in the wrong position will cause wire feed difficulties.)*

#### 7.2.3. POSA START CONTROLS

The Posa Start Control selects a Run-in Speed which is slower than the welding speed. After arc initiation, the wire feed speed is controlled by the potentiometer in the gun.

The scale surrounding the Run-in Speed Control is a relative scale only; it does not represent actual inches per minute.

#### 7.2.4. TORCH AMPHENOL CONNECTORS

The Cobramatic contains a 7 pin "W" clocked amphenol. For "S" clocked torches order kit p/n 005-3563. See specifications for torch compatibility.

#### 7.2.5. CONDUIT INLET

The Conduit Inlet provides access to the slave motor outlet guide.

#### 7.2.6. GAS INLET

Provides access to the gas fitting inside the cabinet.

#### 7.2.7. POWER INLET

The Power Inlet provides access to the power block inside the cabinet.

### 7.3 CV/CC POSA START OPERATING PROCEDURE

#### 7.3.1. GENERAL

The Posa Start feature allows the Cobramatic to be used in combination with constant current DC welding power sources of open circuit voltage in excess of 55 volts - also, any constant voltage welding power source capable of a minimum of 50 amps.

(NOTE: Reverse polarity *MUST* be used.)

**CAUTION:**

*DO NOT OPERATE A COBRAMATIC ON A POWER SOURCE HAVING A HIGH-FREQUENCY STARTING CIRCUIT BEFORE MAKING SURE THAT THE HIGH-FREQUENCY PORTION OF THE POWER SOURCE IS TURNED OFF. FAILURE TO TAKE THIS PRECAUTION WILL CAUSE PERMANENT DAMAGE TO THE POSA START CIRCUITRY.*

The Posa Start Run-in Speed Control, located on the front panel, provides adjustment for slow wire run-in. Once the arc has been established, the wire feed speed is automatically changed from the slow run-in speed to the welding speed set on the torch potentiometer.

### **7.3.2. CV POSA START OPERATION**

Attach Cobramatic to CV power source according to the installation instructions.

Turn the Cobramatic to the “ON” position and the Posa Start to the “OFF” position.

Adjust power source to desired voltage for your weld condition.

Depress gun trigger and adjust wire feed speed at gun to match voltage setting. If approximate wire feed is not known, it is better to start with excess wire feed rather than too little, in order to prevent a “burn-back”.

Turn the Posa Start switch to the “ON” position. Press torch trigger and, using Run-in Speed Control, adjust wire feed rate to approximately 10% of the welding wire speed.

Strike an arc, and adjust wire feed rate at gun until correct condition is achieved.

### **7.3.3. CC POSA START OPERATION**

Attach the Cobramatic to a CC power source according to the installation instructions.

Insure power supply high frequency switch is in the “OFF” position, and power supply is set to DC reverse polarity.

The power supply contactor should be set to “Remote” or “Tig” and the amperage control set to “Panel” or “Standard” depending on power supply.

Turn the Cobramatic power switch to the “ON” position and the Posa Start switch to the “OFF” position.

Adjust power source to desired amperage for your weld condition.

Press gun trigger and adjust wire feed speed at gun to match current setting. If approximate wire feed speed is not known, it is better to start with excess wire feed rather than too little, in order to prevent possible damage to the contact tip.

Turn Posa Start switch to the “ON” position. Press torch trigger and, using Run-in Speed Control, adjust wire feed speed to approximately 10% of the welding wire speed.

Strike an arc; if the wire stubs out, reduce wire feed rate at gun, or increase amperage setting on power source.

*NOTE: Because the Posa Start Run-in Speed always remains a percentage of the actual welding wire feed rate, the Posa Start run-in speed will always slow down or speed up proportional to any adjustment you now make at the gun. Therefore, if you slow down the welding wire feed speed, you will have to increase the Run-in Speed setting.*

## Section 8

### MAINTENANCE

Maintenance of the torch will normally consist of a general cleaning of the wire guide system, including tubes, drive rolls, and conduits at regular intervals.

Remove spatter build-up from inside of nozzles with a hardwood stick.

The only parts on the Cobramatic system that are subject to normal wear are the conduit, contact tips, gas cups, front body liners, wire guides, drive and idler rolls. A supply of these parts should be maintained on hand.

If repairs do become necessary, any part can easily be replaced by a qualified shop maintenance person.

Your Cobramatic is designed to provide years of reliable service. Normal wear and component failure may require occasional service.

The number of units in operation and the importance of minimal "down time" will determine to what extent spare parts should be stocked on hand.

#### 8.1 TESTING THE TORCH

##### 8.1.1. MOTOR CHECK

- a. Remove the amphenol connector from the cabinet.
- b. Using the torch amphenol, check the resistance across pins "A" and "B"(motor leads). The resistance across the motor should be between **5-10 ohms**.
- c. If an open circuit or short exist, check the motor leads and motor independently.

##### 8.1.2. TESTING THE POTENTIOMETER - "W" CLOCKED

- a. Using the torch amphenol, check the resistance across pin "D" (wiper) and pin "C". The resistance should vary from **0 - 5K ohms**.
- b. Check the resistance across pin "D" (wiper) and pin "G". The resistance should vary from **5K - 0 ohms**.

##### 8.1.3. TESTING THE POTENTIOMETER - "S" CLOCKED

- a. Using the torch amphenol, check the resistance across pin "D" (wiper) and pin "C". The resistance should vary from **0 - 5K ohms**.
- b. Check the resistance across pin "D" (wiper) and pin "A". The resistance should vary from **5K -0 ohms**.

##### 8.1.4. TESTING THE MICRO SWITCH

- a. Using the torch amphenol, check for continuity across pins "E" and "F" when the trigger is pressed.

#### 8.2 RELAY K2 OPERATION

When the torch trigger is pressed, 24VAC is sent to the coil of relay K2. When K2 is energized, 115VAC is sent to the slave motor, spool brake, and the 115VAC contactor. Relay K2 is also responsible for sending 24VAC to the speed control circuit and shorting the torch motor leads together when the

trigger is released for the dynamic braking system. K2 also provides the closing contactor signal.

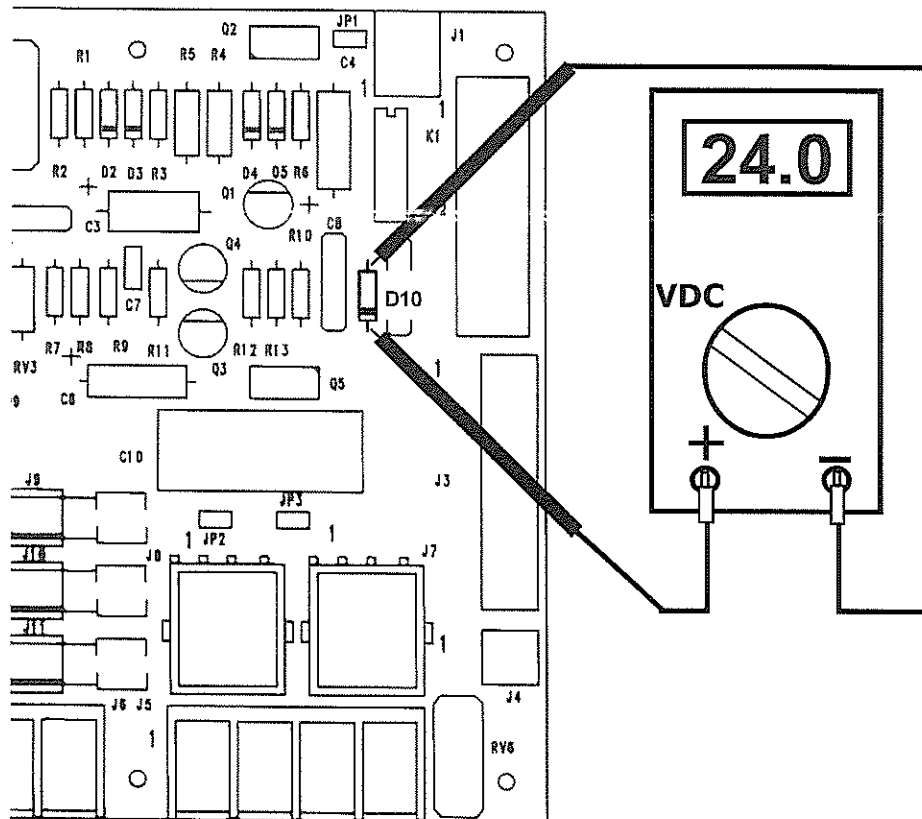
### 8.3 TESTING THE 115 VAC CIRCUITS

The 115 VAC circuit is protected by fuse F3. If F3 continually blows, remove J4 (Brake Solenoid), J7 (slave motor) and J5-3,4 (115 VAC Contactor) from the P.C. Board. Replace fuse, and retrigger system. If fuse does not blow; isolate the problem by plugging in J4, J7, and J5-3,4 one at a time until the fuse blows.

### 8.4 TESTING THE SPEED CONTROL

*NOTE: The torch should be tested first and the amphenol must be connected to the Cobramatic to perform this test.*

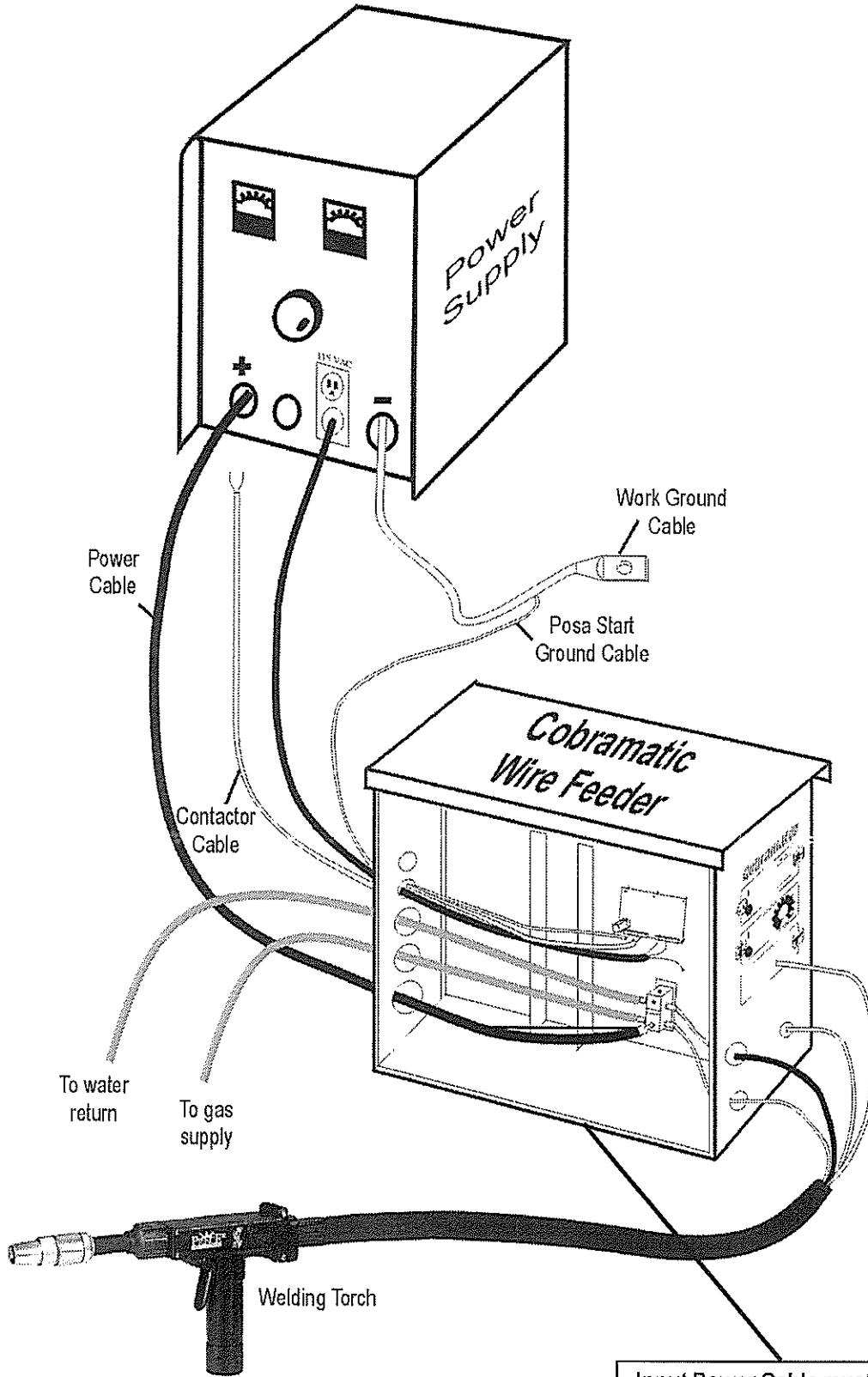
Place a voltmeter across diode D10 and press torch trigger. A reading of 0 - 24VDC should be observed, as the torch potentiometer varies.



<p>No wire feed at torch, feeder not operating, i.e., no slave motor or brake soleniod.</p>	<p>F3 (2 amp) fuse in feeder blown. F1 (4 amp) fuse in feeder blown.  Micro-switch defective/not being activated. Broken electrical cable.  Relay K2 inoperative.  Loose J2, J3, P.C. board connector</p>	<p>Check AC circuit. Replace fuse  Check motor leads for shorts, then replace fuse  Replace switch. Check switch for operation. Check micro switch wires for continuity.  Check/Replace relay K2.  Check J2, J3 connectors.</p>
<p>Brake soleniod inoperative.</p>	<p>Soleniod defective.  Relay K2 inoperative.</p>	<p>Replace soleniod.  Check for 115VAC across J4-1 and J4-2  Check relay K2 for AC not present.</p>
<p>No wire feed at torch, feeder operating properly.</p>	<p>Bad potentiometer.  Bad torch motor.  Broken electrical cable.  Bad speed control/PCB.</p>	<p>Check potentiometer with meter.  Check/Replace motor.  Check motor and potentiometer wires for continuity.  Check/Replace P.C. Board.</p>
<p>Wire feeds, but welding wire is not energized.</p>	<p>Loose or no cable connections.  Relay K2 not sending contactor signal.  Contactor control cable loose or in wrong position.  Welding power source not working right.</p>	<p>Check all power connections.  Check/Replace relay K2.  Check power supply owners manual for location and type of contactor signal required, i.e. closing contacts or AC.  Check power supply for proper operation.</p>
<p>Wire feeds erratically.</p>	<p>Excessive spool drag pressure.  Dirty or worn conduit.  Incorrect pressure on drive rolls.  Idler roll stuck.  Wrong size contact tip.</p>	<p>Decrease spool drag pressure inside hub.  Blow out or replace conduit.  Adjust pressure at both feeder and torch.  Check for lock washer under idler roll, or replace if damaged or worn.  See contact tip table.</p>
<p>Wire feeds one speed only</p>	<p>Bad potentiometer.  Broken electrical cable in lead assy.  Bad speed control.</p>	<p>Check with meter.  Check potentiometer wires for continuity or shorts.  Check/Replace P.C. Board.</p>
<p>Wire walks out of drive rolls</p>	<p>Idler roll upside-down.  Rear wire guide missing.</p>	<p>Place groove in idler roll towards top.  Replace wire guide.</p>



# CABINET AND TORCH HOOKUP DIAGRAM

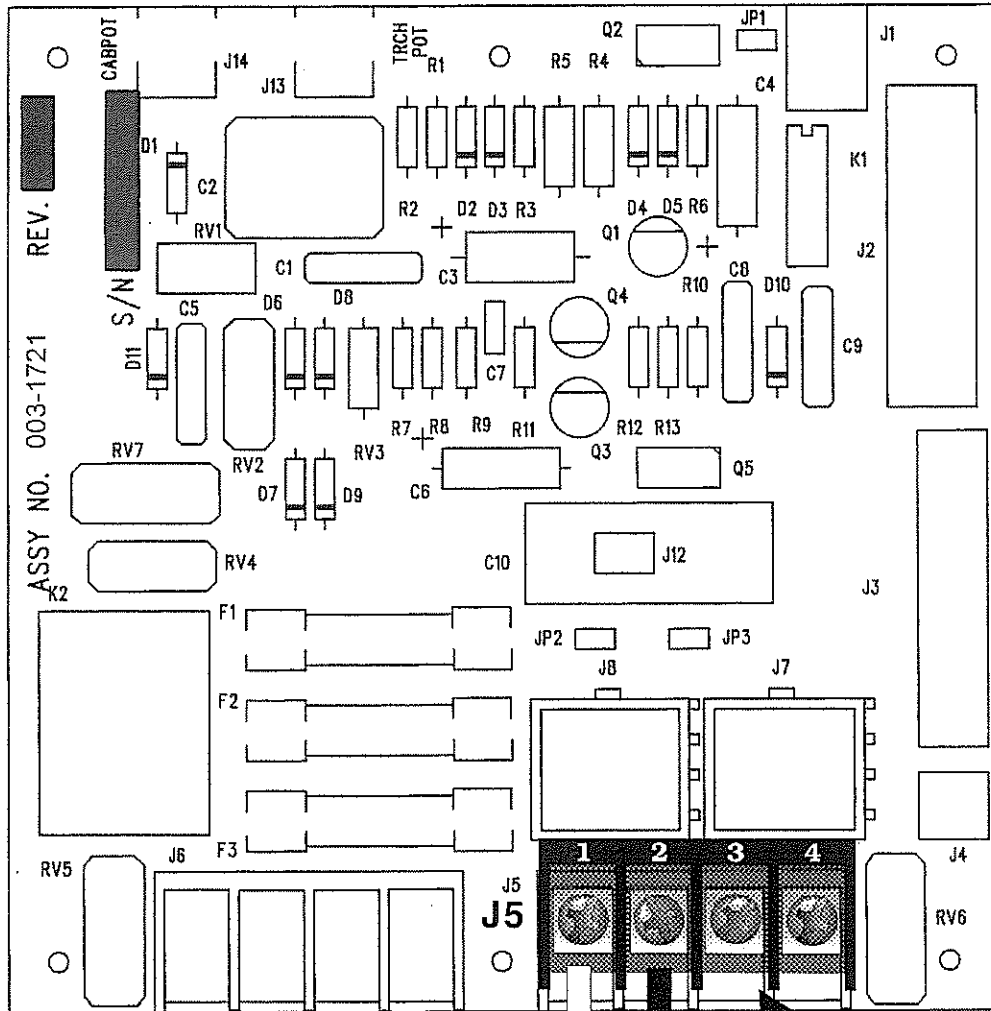


Input Power Cable must be connected to bottom hole or Posi-Start will not operate properly!

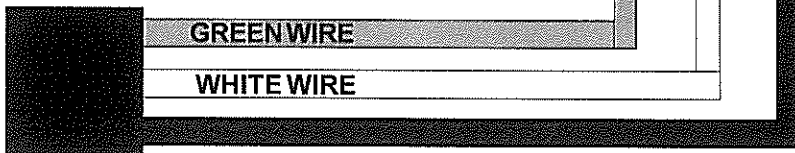
Upper hole is to be used only when connecting the Prince spoolgun to the cabinet as a push-pull system.

# INPUT POWER CONNECTIONS

(only apply rated voltage for cabinet)

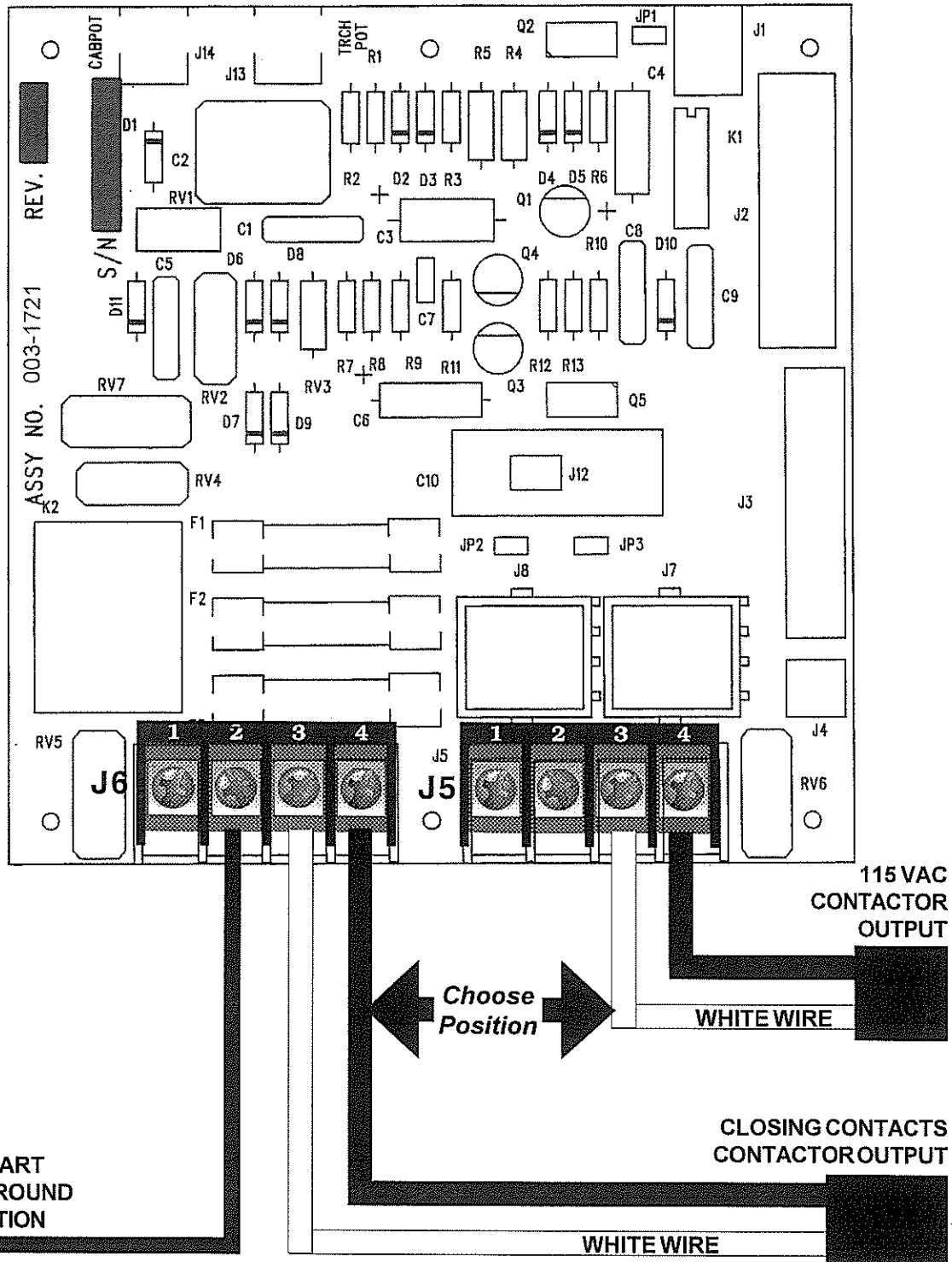


INPUT POWER CONNECTIONS



*Do not put input power here.*

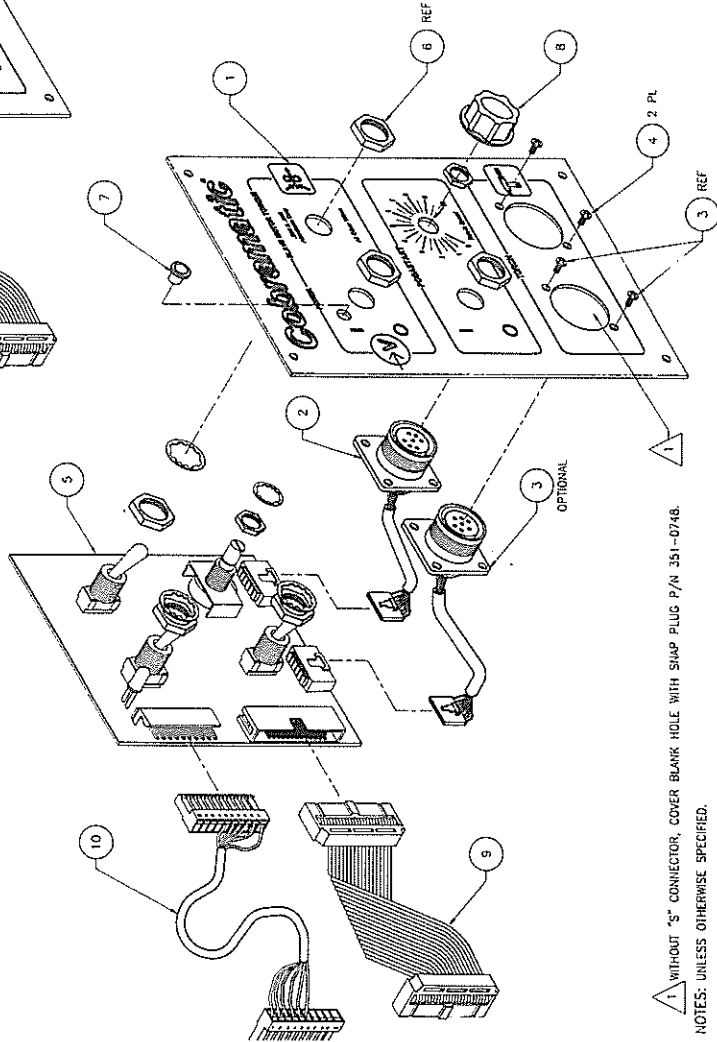
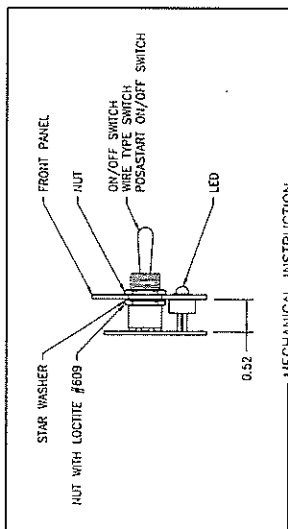
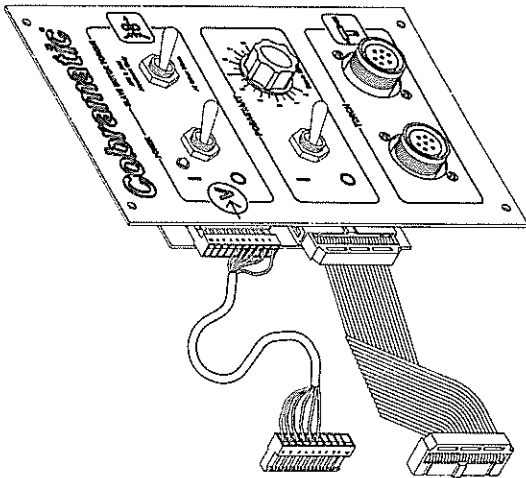
# POSA START & CONTACTOR CONNECTIONS





Cobramatic Parts List  
P/N 001-1132

<u>No.</u>	<u>Qty.</u>	<u>Part Number</u>	<u>Description</u>
1	1	436-0035	SCREENED BASE CABINET
2	1	438-0017	COVER, FRONT PCB
3	14	336-0038	SCREW, PH FIL T/B #6-32 X 3/8
4	4	301-0103	RUBBER FEET
5	12	333-0043	WASHER, INT-STAR #6
6	4	336-0006	SCREW, PH.FIL #6-32 X 1/2
7	4	341-0005	NUT, HEX #6-32
8	2	329-0003	SCREW, HEX 1/4-20 X 3/4
9	2	332-0009	WASHER, SHOULDER 0.265 ID
10	1	261-0105	INSULATOR POWER BLOCK
11	1	003-1674	POWER BLOCK ASSY
12	1	261-0104	INSULATOR, SPOOL
13	3	336-0037	SCREW, PH FIL TB #6-32 X 1/4
14	2	329-0005	SCREW, HEX 1/4-20 X 1.00 LG
15	1	261-0372	INSULATOR, SLAVE MOTOR
16	2	331-0005	WASHER, FLAT 1/4
17	2	333-0009	WASHER, SPRING LOCK 1/4
18	2	341-0010	NUT, HEX 1/4-20
19	1	003-2014	SLAVE MOTOR 115V ASSY.
20	1	003-0570	SPINDLE BRAKE ASSY.
21	1	328-0112	SCREW, SOCKET HD. 3/8-16 X 1.00 LG.
22	1	003-0784	PAWL RATCHET ASSY.
23	1	351-0758	BUSHING SNAP Ø3/4 BLACK
24	1	327-0012	SCREW, ST T/F #6-32 X 1/4 LG.
25	1	419-0080	SPRING EXTENSION
26	1	003-2096	BRAKE SOLENOID ASSY.
27	1	003-0773	TRANSFORMER 115V ASSY.
28	12	336-0005	SCREW, PH.FIL. #6-32 X 3/8 LG.
29	3	331-0002	WASHER, FLAT #6
30	2	345-0008	NUT, SELF-LOCKING #6-32
31	1	405-0724	DECAL, ELECTRONIC CONNECTION
32	1	003-1628	PCB, MAIN 115V ASSY.
33	6	342-0410	SPACER, STACKING #6-32 X 0.534 LG.
34	4	336-0039	SCREW, PH. FIL. #10-32 X 3/8 LG.
35	1	003-1673	FRONT PANEL ASSY.
36	1	351-0752	BUSHING SNAP 1.12 ID, 1.50 DIA MTG. HOLE
37	1	351-0744	BUSHING SNAP 1.00 ID, 1.375 DIA MTG. HOLE
38	4	351-0745	BUSHING SNAP 15/16 ID, 1.125 DIA MTG. HOLE
39	1	351-0082	CAP PLUG 7/8 DIA MTG. HOLE
40	1	411-0157	CLAMP CABLE STRAIN REL
41	1	003-1698	DOORS ASSY.
42	1	415-0243	HANDLE CARRY
43	4	329-0219	SCREW, HEX #10-24 X 1/2 LG.
44	4	331-0067	WASHER, FLAT #10
45	4	333-0007	WASHER, SPRING LOCK #10
46	4	341-0007	NUT, HEX #10-24
47	1	843-0064	CABLE CONTACTOR 8 FT
48	1	003-0796	POWER CABLE ASSY.
49	1	843-0327	POSASTART CABLE
50	4	351-0086	THREAD INSERT #6-32
51	1	405-0757	SERIAL NUMBER I.D. PLATE
52	4	351-0089	THREAD INSERT #10-32
53	2	331-0049	WASHER, FLAT 1/4
54	4	411-0020	TIEWRAP
55	1	301-0087	WIRE GUARD



NO.	P/ZONE	QTY.	DESCRIPTION	PART NO.
11	△	1	SNAP PLUG, #1.12	351-0748
10		1	CABLE, POWER ASSY	003-1631
9		1	CABLE, RIBBON ASSY	003-1332
8		1	KNOB, #1.00	401-0012
7		1	GROMMET, PNL MTC, LED	301-0023
6		6	NUT, HEX, 15-32	REF
5		1	PCBA FRONT PANEL, 110V	003-2024
4		2	SCREW, PH FIL ST, #6-32	327-0110
3		REF/1	"S" CONNECTOR (OPTIONAL)	003-1643
2		1	"W" CONNECTOR ASSY	003-1642
1		1	FRONT PANEL	435-0021

MATERIAL: SEE PARTS LIST  
FINISH: N/A  
HEAT TREATMENT: N/A  
SURFACE FINISH: ...

DATE: 05/90  
ENGINEER: T. NGUYEN  
CHECKED: APPROVED:

TITLE: FRONT PANEL ASSY.  
115 VAC  
COBRAMATIC

UNLESS OTHERWISE SPECIFIED DIMENSIONS ARE IN INCHES DECIMALS THIRDS ARE .001

DATE: 4/77

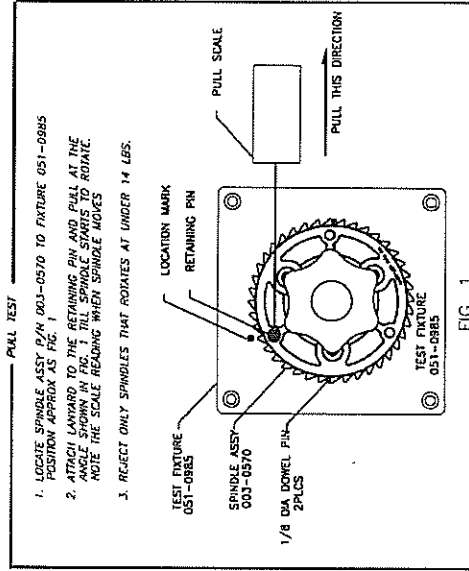
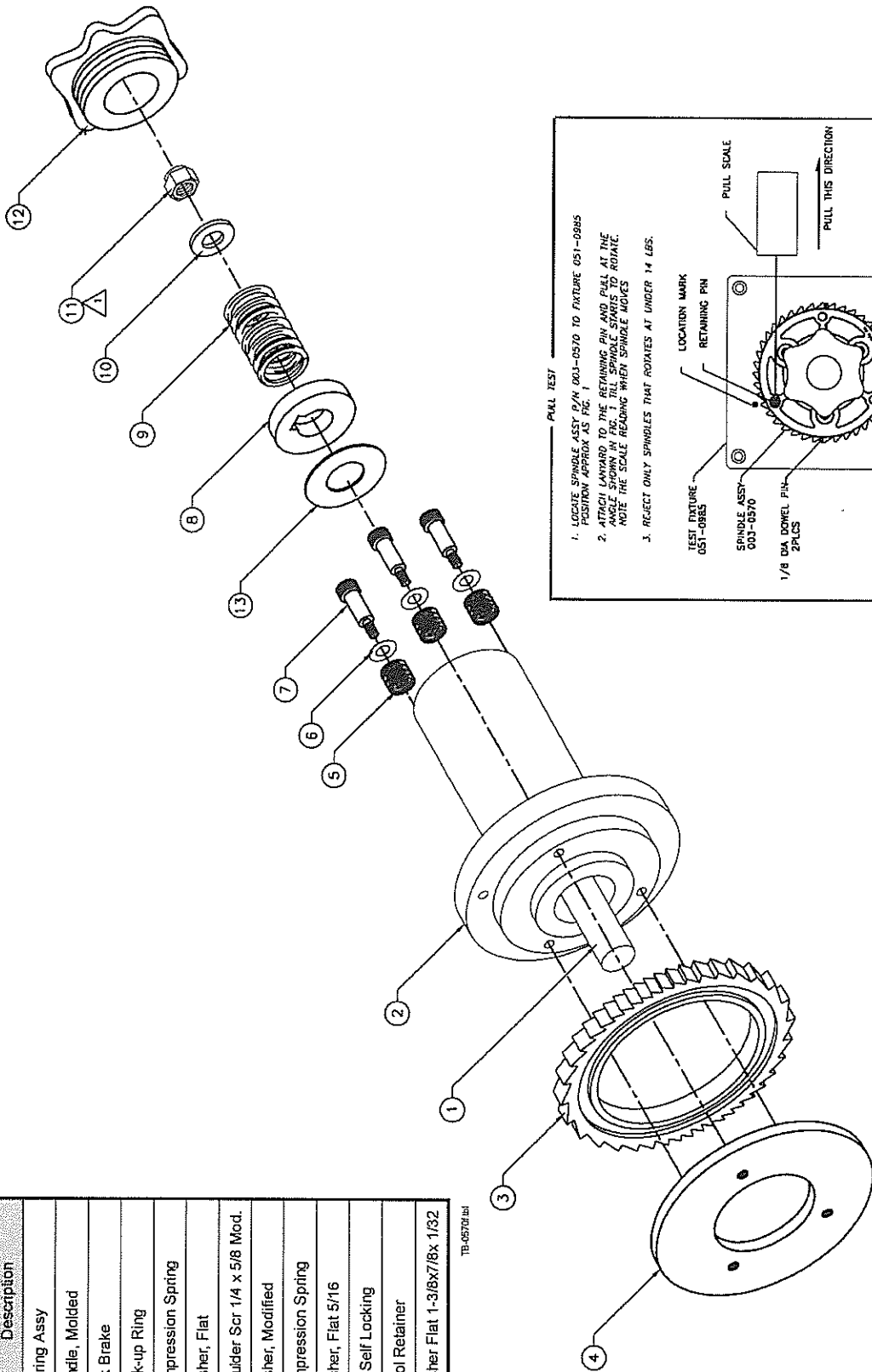
SIZE: CAD FILE NO. 003-1673  
DWG. NO. 003-1673  
REV. F

M.K. PRODUCTS, INC.  
IRVINE, CALIFORNIA

△ 1. WITHOUT "S" CONNECTOR, COVER BLANK HOLE WITH SNAP PLUG P/N 351-0748.  
NOTES: UNLESS OTHERWISE SPECIFIED.

No.	Qty.	Part No.	Description
1	1	003-0569	Bearing Assy
2	1	437-0645	Spindle, Molded
3	1	723-0059	Disk Brake
4	1	431-1266	Back-up Ring
5	3	419-0059	Compression Spring
6	3	331-0063	Washer, Flat
7	3	330-3063	Shoulder Scr 1/4 x 5/8 Mod.
8	1	437-0180	Washer, Modified
9	1	419-0230	Compression Spring
10	1	331-0100	Washer, Flat 5/16
11	1	345-0018	Nut, Self Locking
12	1	431-0169	Spool Retainer
13	1	331-0200	Washer Flat 1-3/8x7/8x 1/32

TP-0570F.01

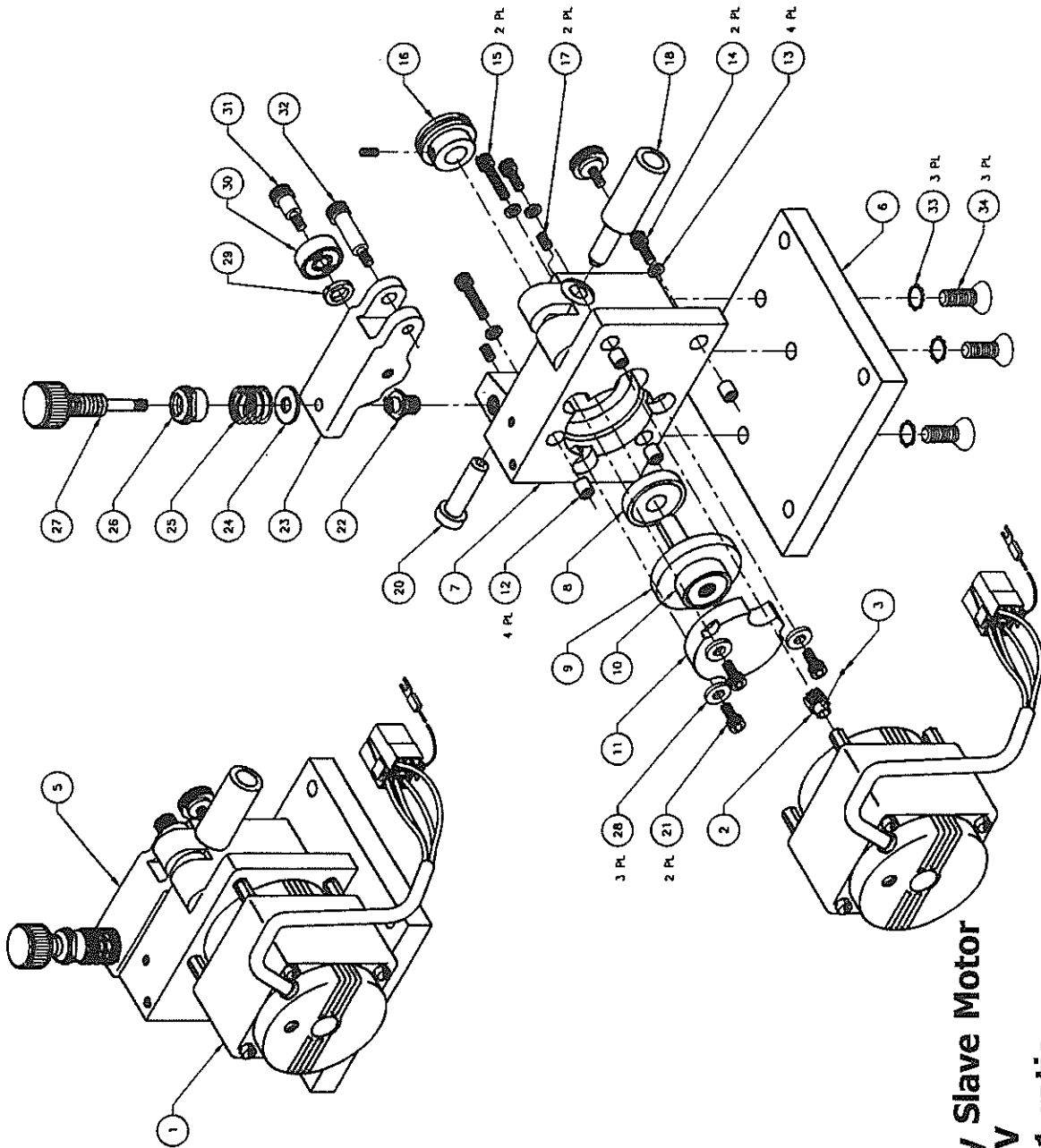


1. LOCATE SPINDLE ASSY P/N 003-0570 TO FIXTURE 051-0985 POSITION APPROX AS FIG. 1
2. ATTACH LAYARD TO THE RETAINING PIN AND PULL AT THE ANGLE SHOWN IN FIG. 1 TILL SPINDLE STARTS TO ROTATE. NOTE THE SCALE READING WHEN SPINDLE MOVES
3. REJECT ONLY SPINDLES THAT ROTATES AT UNDER 14 LBS.

FIG. 1

## Spindle Brake Assy. 003-0570F

No.	Part No.	Description
1	003-2017	Assy torque motor 115V
2	507-0128	Hel gear 10T
3	421-0128	Pin, Spring, 1/16 x 3/8 LG
4		
5	001-3092	Assy, gear box, slave motor
6	261-0213	Insulator, gear box
7	431-0347	Casting, gear reduction
8	501-0118	Shaft, bearing reduction
9	507-0130	Shaft, gear
10	501-0156	Bearing, cap
11	431-0334	Cap
12	342-0063	Spacer, 1/4 x 0.171 ID
13	333-0006	Washer, lock, spring, #8
14	328-0026	Screw, socket hd #8-32 x 5/8
15	328-0029	Screw, socket hd #8-32 x 1.00
16	511-0206	Drive roll, slave motor
17	321-0060	Screw, set, #10-24
18	753-0265	Guide, outlet
19		
20	753-0210	Guide, wire Ø1/2
21	328-0024	Screw, socket hd, #8-32 x 3/8
22	431-1082	Nut, stop shaft
23	413-0209	Arm, idler roll
24	331-0050	Washer, Ø1/4
25	419-0211	Spring, comp. 0.62 OD x 0.062
26	345-0047	Nut, adjust
27	003-0273	Knob, pressure shaft
28	331-0044	Washer, flat #10
29	333-0009	Washer, lock, spring Ø1/4
30	501-0207	Idler roll, slave motor
31	330-0001	Screw, shoulder, 1/4 x 3/8
32	330-0004	Screw, shoulder, 1/4 x 3/4
33	333-0064	Washer, c/sink, int star, Ø1/4
34	324-0286	Screw, flat hd, #1/4-20 x 3/4

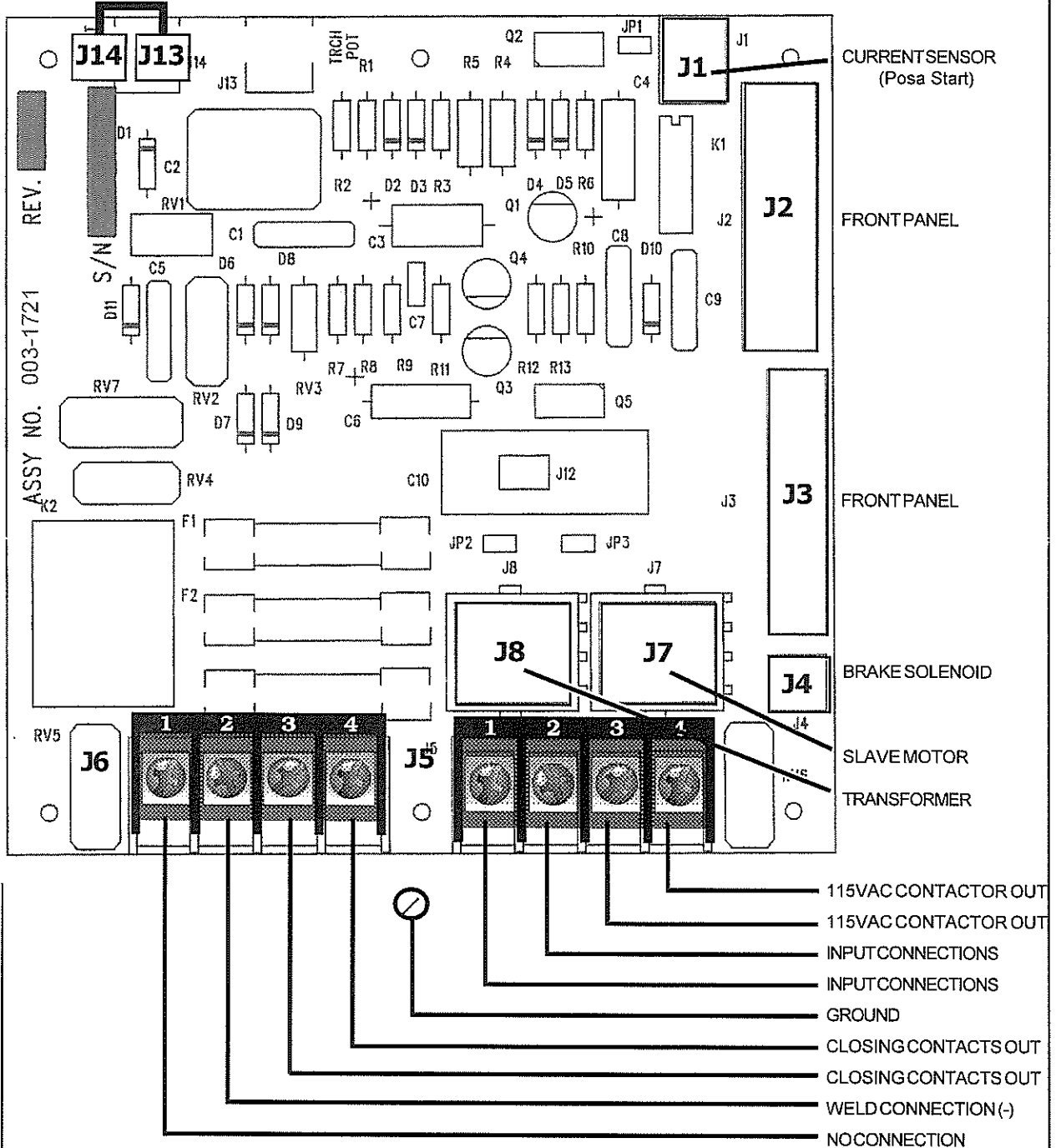


**Assy Slave Motor  
115V  
3.4:1 ratio  
003-2014A**

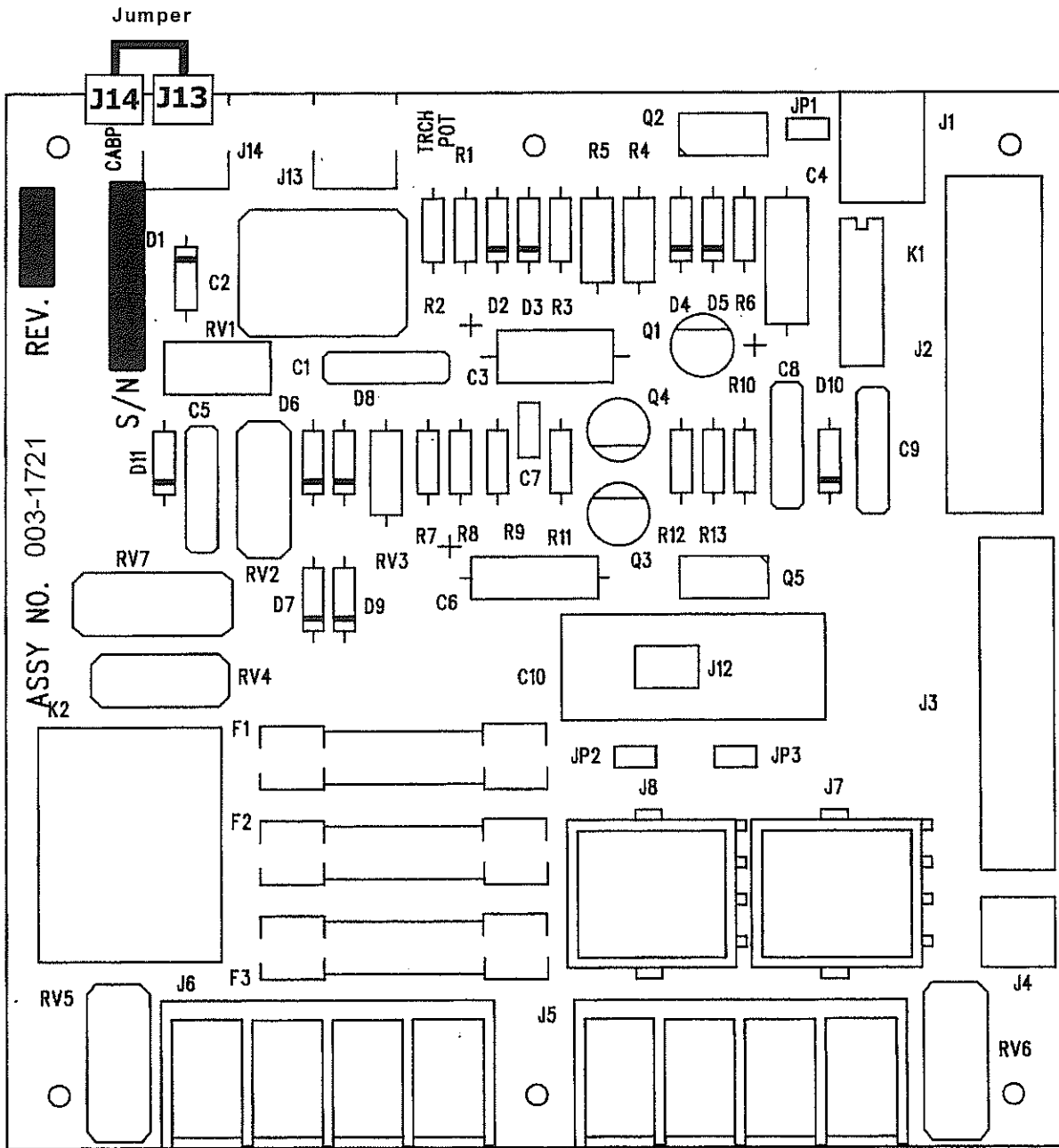


# MAIN P.C. BOARD CONNECTIONS

Note: For Cabinet -  
Remote Pot Kit, Remove  
Jumper from J13-J14.  
Plug Remote Pot Kit into  
J14.



**MAIN P.C. BOARD  
PARTS PLACEMENT  
Part Number 003-1628**



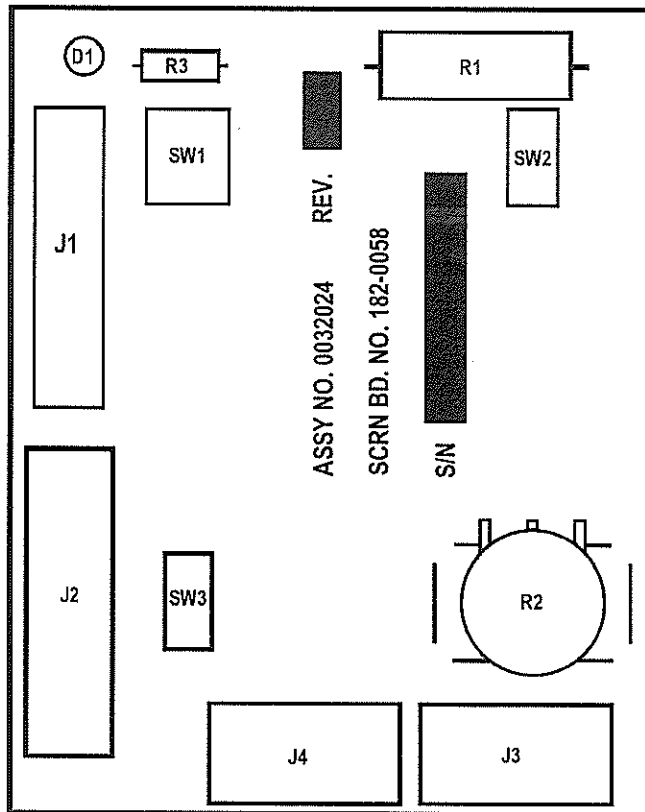
**COMPONENTS TO BE REPLACED BY QUALIFIED SERVICE PERSONNEL ONLY.**

**MAIN P.C. BOARD  
PARTS LIST  
Part Number 003-1628**

<u>COMPONENT #</u>	<u>P/N</u>	<u>DESCRIPTION</u>
K1 .....	157-0144 .....	RELAY, 5V 500 Ohm 200MA
R3 .....	115-0154 .....	RESISTOR, carbon .25 watt 68K ohm
R4, R5 .....	115-0042 .....	RESISTOR, carbon .50 watt 6.8K ohm
R12, R13 .....	115-0120 .....	RESISTOR, carbon .25 watt 100 ohm
R6 .....	115-0122 .....	RESISTOR, carbon .25 watt 150 ohm
R7 .....	115-0144 .....	RESISTOR, carbon .25 watt 10K ohm
R8 .....	115-0138 .....	RESISTOR, carbon .25 watt 3.3K ohm
R9 .....	115-0129 .....	RESISTOR, carbon .25 watt 560 ohm
R10 .....	115-0136 .....	RESISTOR, carbon .25 watt 2.2K ohm
R11 .....	115-0141 .....	RESISTOR, carbon .25 watt 5.6K ohm
D1 .....	124-0002 .....	DIODE, 1 amp 800 volts (IN4006)
D6-D11 .....	124-0003 .....	DIODE, 2.5 amps 1KV (HEP170)
D4 .....	124-0011 .....	DIODE, zener 1 watt 10 volts (IN4730)
D5 .....	124-0093 .....	DIODE, zener 1 watt 6.8 volts (IN4733)
Q2 .....	122-0011 .....	TRANSISTOR, NPN 500MA 250 volts (2N5655)
Q3 .....	122-0004 .....	TRANSISTOR, PNP 1 amp 50 volts (2N4249)
Q4 .....	122-0013 .....	TRANSISTOR, unijunction 30 volts (2N2646)
Q5 .....	125-0028 .....	THYRISTOR, 8 amps 400 volts (MCR218-6)
C1, C5, C8, C9 .....	101-0016 .....	CAPACITOR, ceramic .01uf600VDC
C2 .....	101-0013 .....	CAPACITOR, Poly .047uf200VDC
C4, C6 .....	104-0002 .....	CAPACITOR, tantalum 10uf20VDC
C7 .....	101-0021 .....	CAPACITOR, ceramic .047uf50VDC
RV1, RV5-RV7 .....	124-0026 .....	VARISTOR, 200V 14mm
RV2, RV3, RV4 .....	124-0028 .....	VARISTOR, 56 volts 8 amps
C10 .....	101-0116 .....	CAPACITOR, poly 3.3uf250VAC
J1 .....	153-0866 .....	CONNECTOR, R/A header 2 pin
J2 .....	153-0923 .....	TERMINAL, header 26 pin
J3 .....	153-0842 .....	TERMINAL, header 10 pin
J4 .....	153-0844 .....	TERMINAL, header 2 pin
J5, J6 .....	186-0057 .....	TERMINAL, strip 4 pin
J7, J8 .....	153-0850 .....	CONNECTOR, 6 pin
J13, J14 .....	153-0867 .....	CONNECTOR, R/A header 3 pin
Fuse Holder (4) .....	152-0008 .....	FUSE HOLDER, PC mount
F3 .....	151-0001 .....	FUSE, AGC 2A 250V
F1 .....	151-0043 .....	FUSE, 3AG 4A 250V FAST ACT
F2 (220 VAC ONLY) .....	151-0001 .....	FUSE, AGC 2A 250V
K2 .....	157-0022 .....	RELAY, 24VAC 4PDT
K2 Socket .....	173-0026 .....	SOCKET, relay 15 pin
K2 Clip .....	157-0023 .....	RLY, RTNR CLIP
Jumper .....	003-1307 .....	JUMPER CABLE

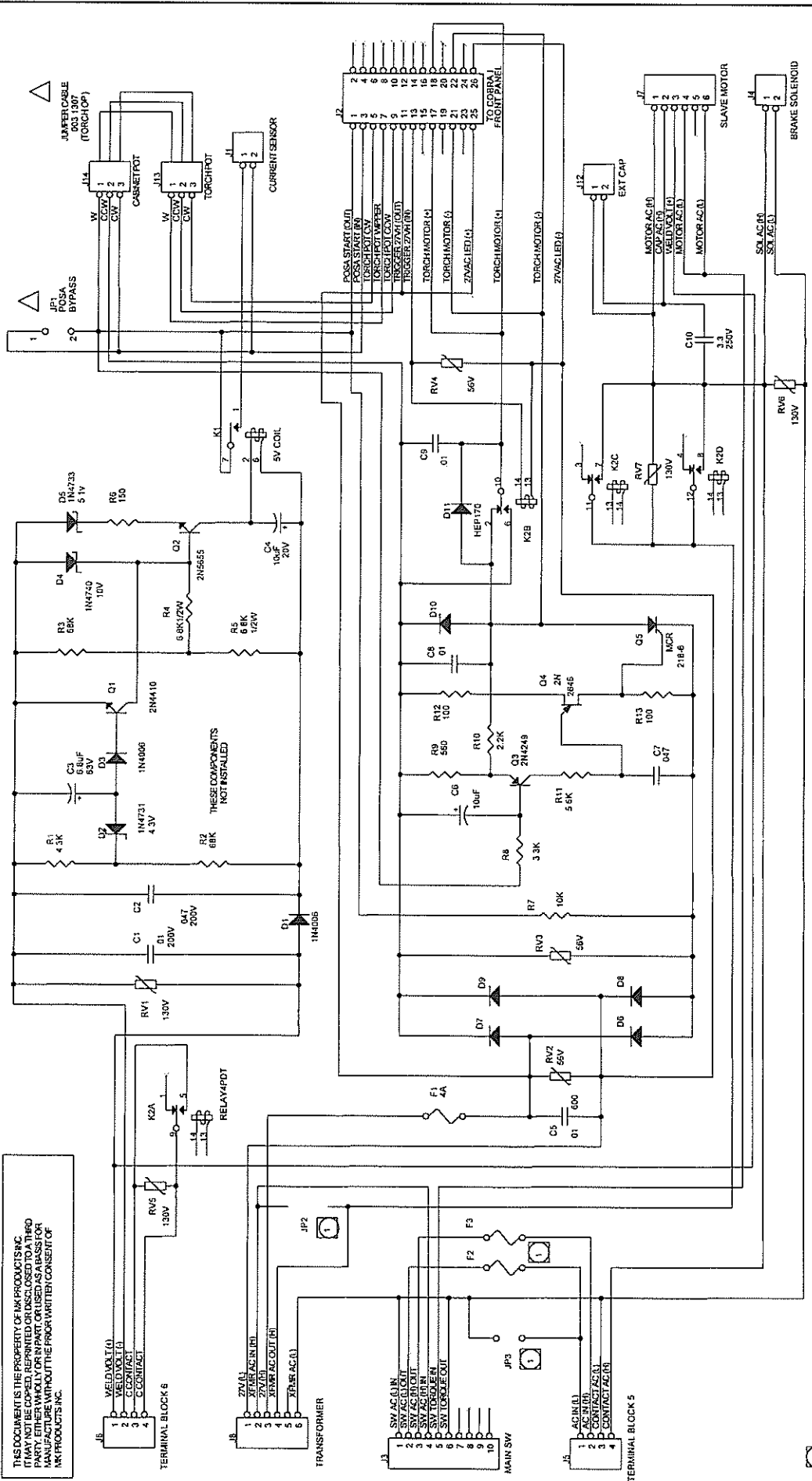
## FRONT PANEL CIRCUIT BOARD Part Number 003-2024

<u>COMPONENT#</u>	<u>P/N</u>	<u>DESCRIPTION</u>
R1 .....	113-0593 .....	RESISTOR, wire wound 400 ohm, 5 watt
R2 .....	119-0020 .....	POTENTIOMETER, 100Kohm
R3 .....	115-0037 .....	RESISTOR, carbon 2.7K ohm, 1/2 watt
D1 .....	124-0045 .....	LED, green
SW1 .....	159-3587 .....	SWITCH, DPDT, p.c. mount
SW2 .....	159-3586 .....	SWITCH, SPDT, p.c. mount
SW3 .....	159-3586 .....	SWITCH, SPDT p.c. mount
J1 .....	153-0842 .....	HEADER, 10pin, 90 degree
J2 .....	153-0876 .....	HEADER, 26pin, 90 degree
J3 .....	153-0860 .....	HEADER, 8pin, 90 degree
J4 .....	153-0860 .....	HEADER, 8pin, 90 degree



**COMPONENTS TO BE REPLACED BY QUALIFIED SERVICE PERSONNEL ONLY.**

THIS DOCUMENT IS THE PROPERTY OF M.K. PRODUCTS INC. IT IS TO BE KEPT IN THE CONTROL OF THE COMPANY. IT IS TO BE RETURNED TO THE COMPANY IF IT IS DISCOVERED IN ANY PART OR USED AS A BASIS FOR REPRODUCTION OR TRANSMISSION IN ANY MANNER WITHOUT THE PRIOR WRITTEN CONSENT OF M.K. PRODUCTS INC.

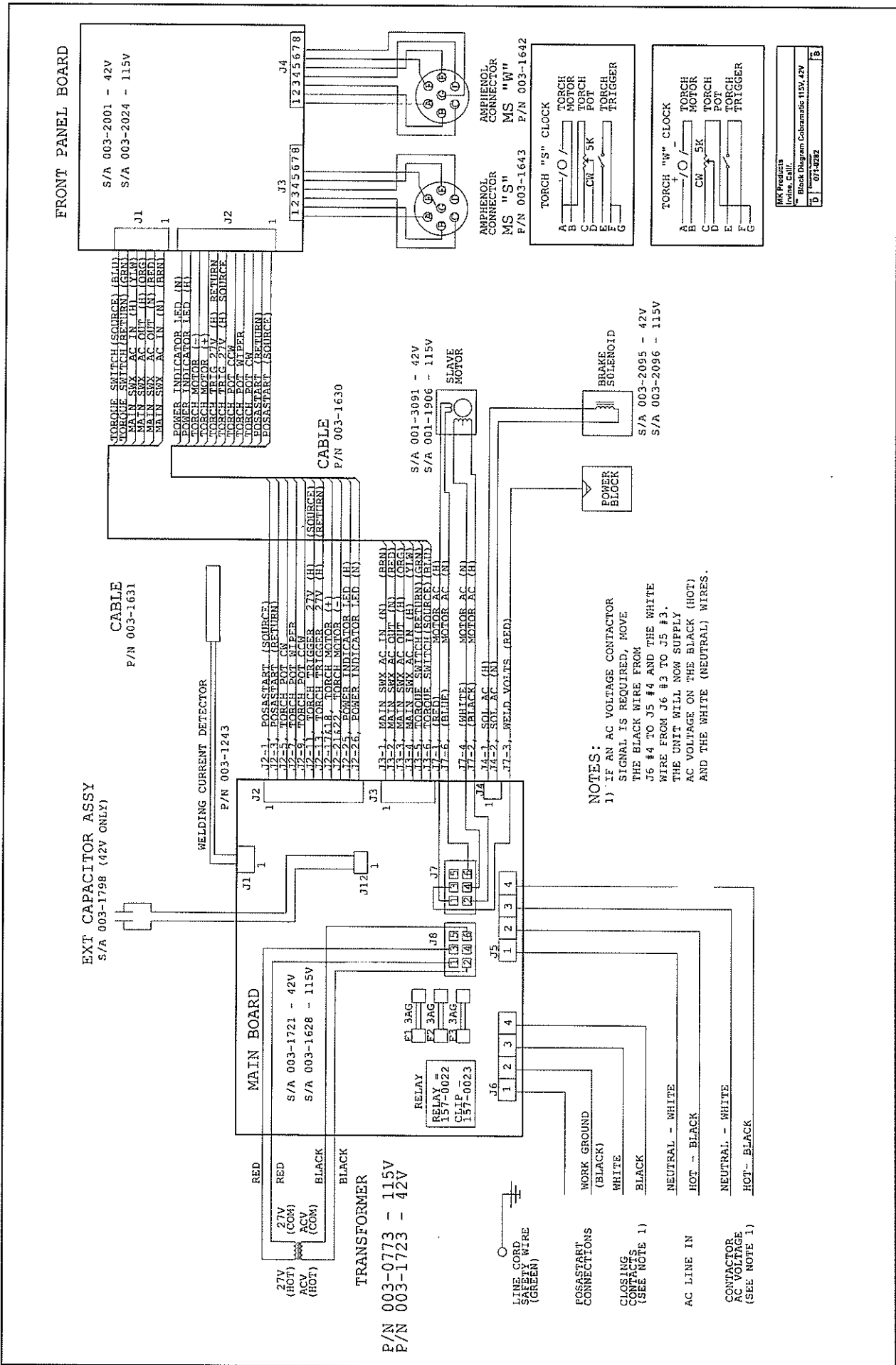


REV	PIZONE	DATE	APPR
G		DCN 10249	ETS
H		DCN 11110	CKT
J		DCN 11947	DT

REV	PIZONE	DATE	APPR
G		DCN 10249	ETS
H		DCN 11110	CKT
J		DCN 11947	DT

REV	PIZONE	DATE	APPR
G		DCN 10249	ETS
H		DCN 11110	CKT
J		DCN 11947	DT

M.K. PRODUCTS INC.  
 COBRA 1 - MAIN PCB -  
 Document Number 071-0270



**THISPAGEINTENTIONALLYBLANK**

# LIMITED WARRANTY

Effective April 1, 1998

This warranty supersedes all previous MK Products warranties and is exclusive, with no other guarantees or warranties expressed or implied.

**LIMITED WARRANTY** - MK Products, Inc., Irvine, California warrants that all new and unused equipment furnished by MK Products is free from defect in workmanship and material as of the time and place of delivery by MK Products. No warranty is made by MK Products with respect to trade accessories or other items manufactured by others. Such trade accessories and other items are sold subject to the warranties of their respective manufacturers, if any.

MK Products' warranty does not apply to components having normal useful life of less than one (1) year, such as relay points, wire conduit, tungsten, and welding torch parts that come in contact with the welding wire, including nozzles, nozzle insulators, and contact tips where failure does not result from defect in workmanship or material.

In the case of MK Products' breach of warranty or any other duty with respect to the quality of any goods, the exclusive remedies therefore shall be at MK Products' option: (1) repair; (2) replacement; (3) where authorized in writing by MK Products, the reasonable cost of repair or replacement at our Irvine, California plant; or (4) payment of or credit for the purchase price (less reasonable depreciation based upon actual use) upon return of the goods at customer's risk and expense. Upon receipt of notice of apparent defect or failure, MK Products shall instruct the claimant on the warranty claim procedures to be followed.

As a matter of general policy only, MK Products may honor an original user's warranty claims on warranted equipment in the event of failure resulting from a defect within the following periods from the date of delivery of equipment to the original user:

1. **Torches and Weldheads** ..... 1 year
2. **All Other Equipment** ..... 3 years
3. **Repairs** ..... 90 days

Classification of any item into the foregoing categories shall be at the sole discretion of MK Products. Notification of any failure must be made in writing within 30 days of such failure.

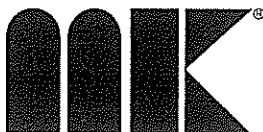
A copy of the invoice showing the date of sale must accompany products returned for warranty repair or replacement.

All equipment returned to MK Products for service must be properly packaged to guard against damage from shipping. MK Products will not be responsible for any damages resulting from shipping.

Normal surface transportation charges (both ways) for products returned for warranty repair or replacement will be borne by MK Products, except for products sold to foreign markets.

ANY EXPRESS WARRANTY NOT PROVIDED HEREIN AND ANY IMPLIED WARRANTY, GUARANTY, OR REPRESENTATION AS TO PERFORMANCE, AND ANY REMEDY FOR BREACH OF CONTRACT WHICH, BUT FOR THIS PROVISION, MIGHT ARISE BY IMPLICATION, OPERATION OF LAW, CUSTOM OF TRADE, OR COURSE OF DEALING, INCLUDING ANY IMPLIED WARRANTY OF MERCHANTABILITY OR FITNESS FOR PARTICULAR PURPOSE, WITH RESPECT TO ANY AND ALL EQUIPMENT FURNISHED BY MK PRODUCTS, IS EXCLUDED AND DISCLAIMED BY MK PRODUCTS.

EXCEPT AS EXPRESSLY PROVIDED BY MK PRODUCTS IN WRITING, MK PRODUCTS ARE INTENDED FOR ULTIMATE PURCHASE BY COMMERCIAL/INDUSTRIAL USERS AND FOR OPERATION BY PERSONS TRAINED AND EXPERIENCED IN THE USE AND MAINTENANCE OF WELDING EQUIPMENT AND NOT FOR CONSUMERS OR CONSUMER USE. MK PRODUCTS WARRANTIES DO NOT EXTEND TO, AND NO RESELLER IS AUTHORIZED TO EXTEND MK PRODUCTS' WARRANTIES TO ANY CONSUMER.



**MK PRODUCTS, INC.**  
16882 ARMSTRONG AVENUE  
IRVINE, CA 92606  
TEL (949) 863-1234  
FAX (949) 474-1428

FORM: LW-8  
DATE: April 1, 1998





**MK PRODUCTS, INC.**  
**16882 ARMSTRONG AVE.**  
**IRVINE, CALIFORNIA 92606**  
**(949) 863-1234 FAX (949) 474-1428**